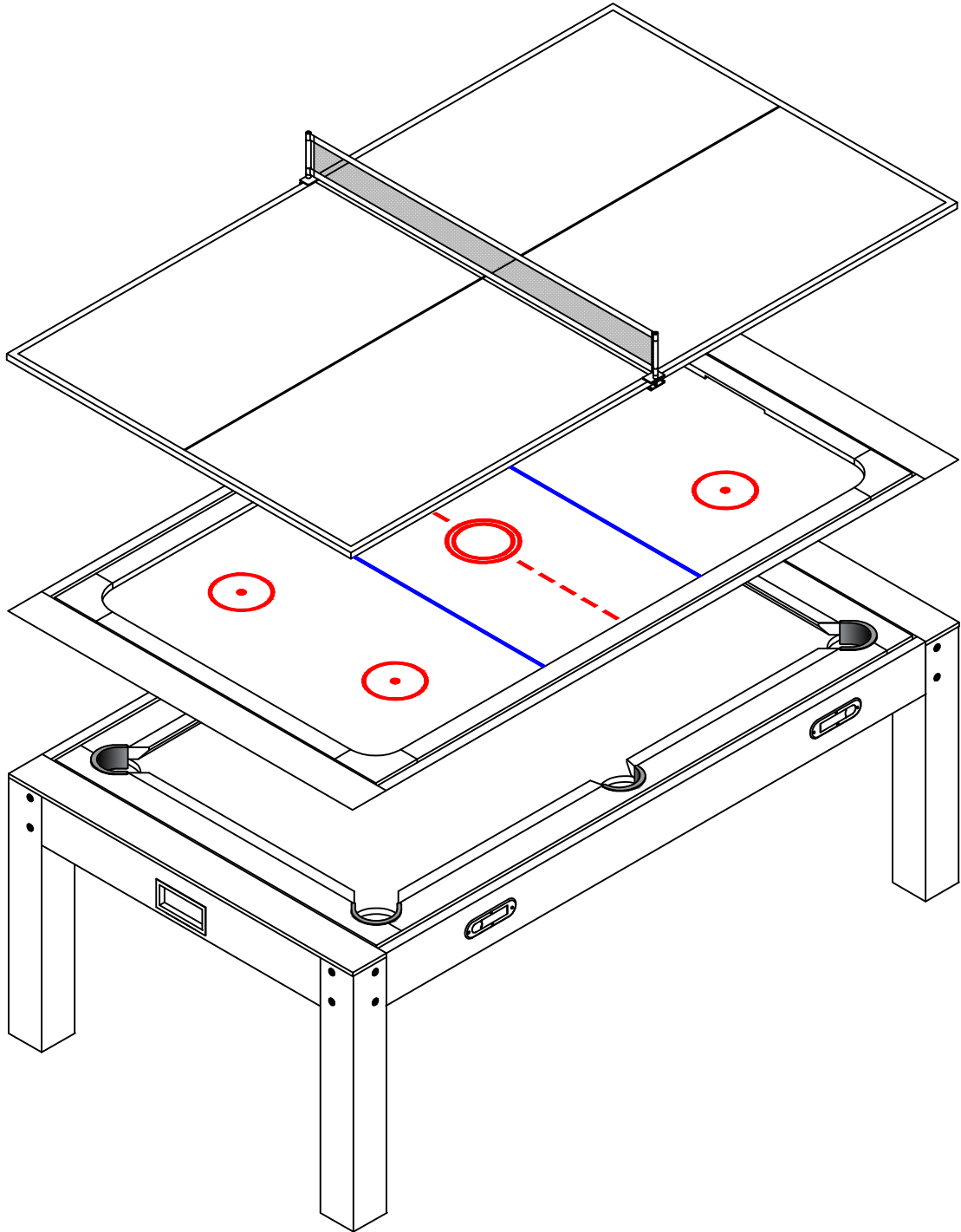


# 7FT ROCKET

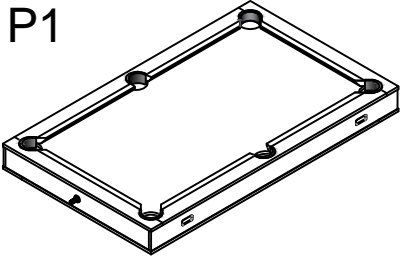
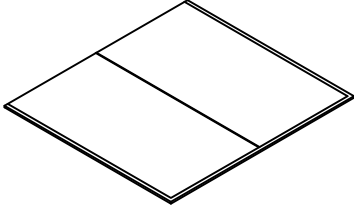
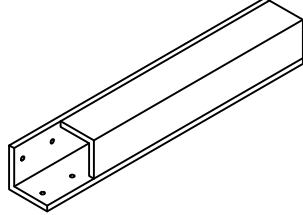
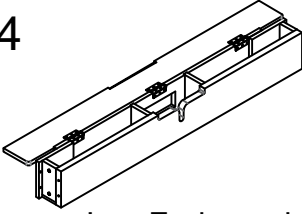
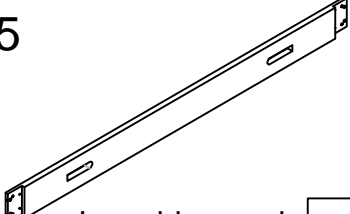
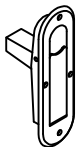
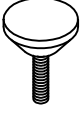
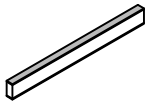


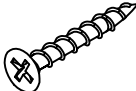


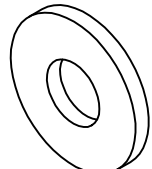
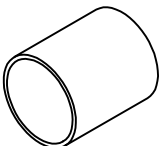
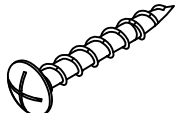

## MULTI GAMES TABLE



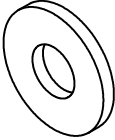
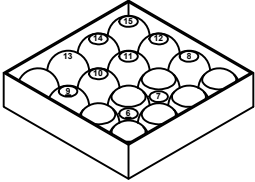

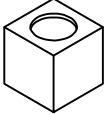


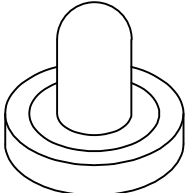

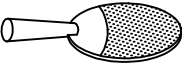
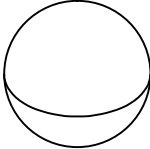
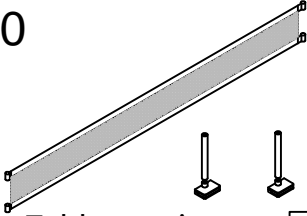

7ft Multi games Table Incorporating  
Air Hockey, Pool & Table Tennis



# PARTS IDENTIFIER

<p><b>P1</b></p>  <p>Pool table</p> <p>x1</p>	<p><b>P2</b></p>  <p>Table tennis surface</p> <p>x2</p>	<p><b>P3</b></p>  <p>Leg</p> <p>x4</p>
<p><b>P4</b></p>  <p>Leg End panel</p> <p>x2</p>	<p><b>P5</b></p>  <p>Leg side panel</p> <p>x2</p>	<p><b>P6</b></p>  <p>Latches</p> <p>x4</p>
<p><b>P7</b></p>  <p>Leg leveler</p> <p>x4</p>	<p><b>P8</b></p>  <p>Support brace</p> <p>x1</p>	
<p><b>H1</b></p>  <p>Bolt</p> <p>x16</p>	<p><b>H2</b></p>  <p>Plastic cover</p> <p>x16</p>	<p><b>H3</b></p>  <p>Screw</p> <p>x16</p>
<p><b>H4</b></p>  <p>Plastic barrel nut</p> <p>x8</p>	<p><b>H5</b></p>  <p>Nut</p> <p>x4</p>	<p><b>H6</b></p>  <p>Washer</p> <p>x2</p>
<p><b>H7</b></p>  <p>Axle sleeve</p> <p>x2</p>	<p><b>H8</b></p>  <p>Screw</p> <p>x16</p>	<p><b>H9</b></p>  <p>Wood plug</p> <p>x2</p>

# PARTS IDENTIFIER

<p>H10</p>  <p>Washer</p> <p>x16</p>		
<p>A1</p>  <p>Billiard ball</p> <p>x1</p>	<p>A2</p>  <p>Triangle rack</p> <p>x1</p>	<p>A3</p>  <p>Chalk</p> <p>x2</p>
<p>A4</p>  <p>Cue stick</p> <p>x2</p>	<p>A5</p>  <p>Plastic brush</p> <p>x1</p>	<p>A6</p>  <p>Hockey striker</p> <p>x2</p>
<p>A7</p>  <p>Hockey Puck</p> <p>x2</p>	<p>A8</p>  <p>Table tennis paddle</p> <p>x2</p>	<p>A9</p>  <p>Table tennis ball</p> <p>x3</p>
<p>A10</p>  <p>Table tennis net</p> <p>x1</p>	<p>A11</p>  <p>Allen key tool</p> <p>x1</p>	

# ASSEMBLY INSTRUCTIONS

WARNING: TWO ADULTS NEEDED ASSEMBLE POOL TABLE

**Instructions before assembly:**

Count all the parts and quantities according to the parts list to prepare the assembly below.

Figure 1

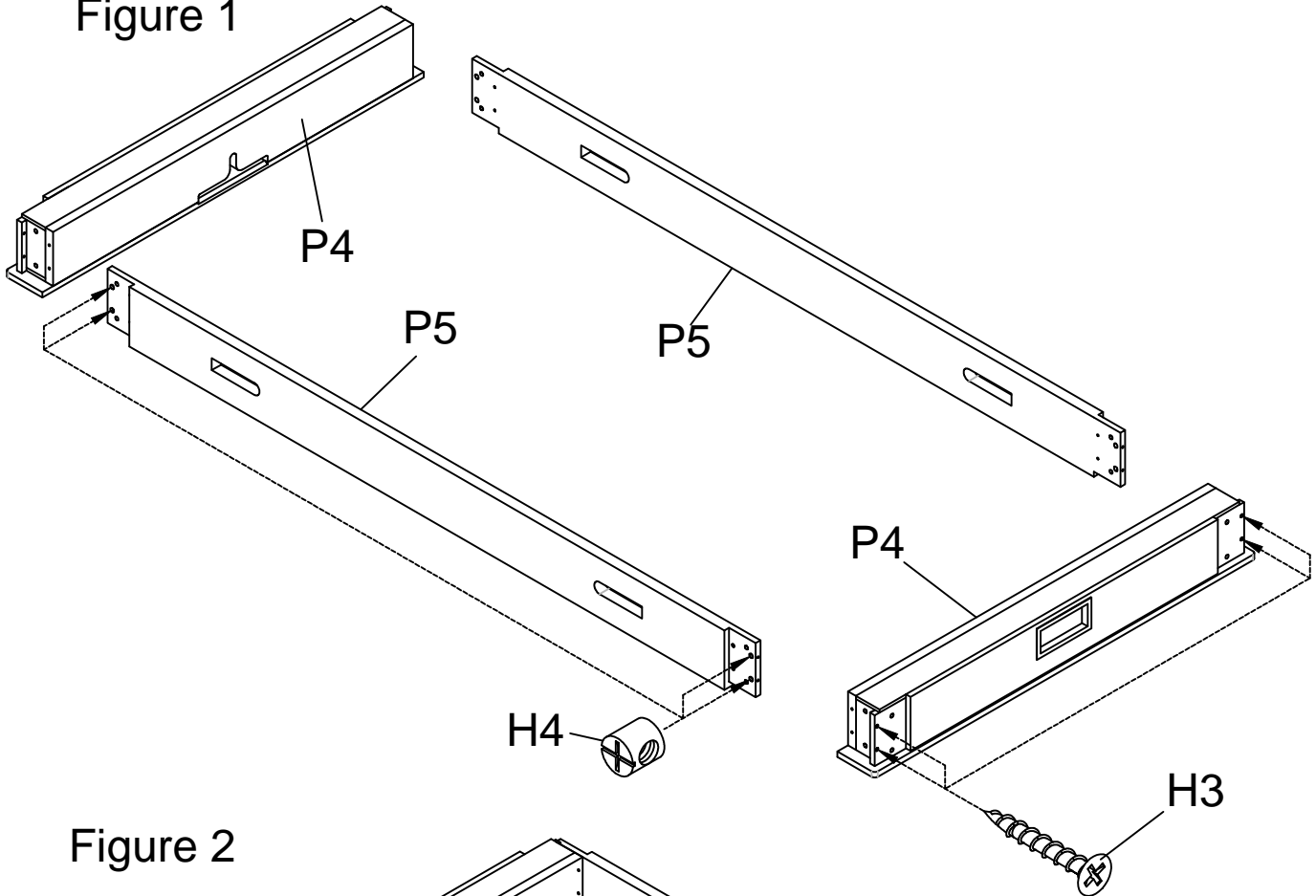
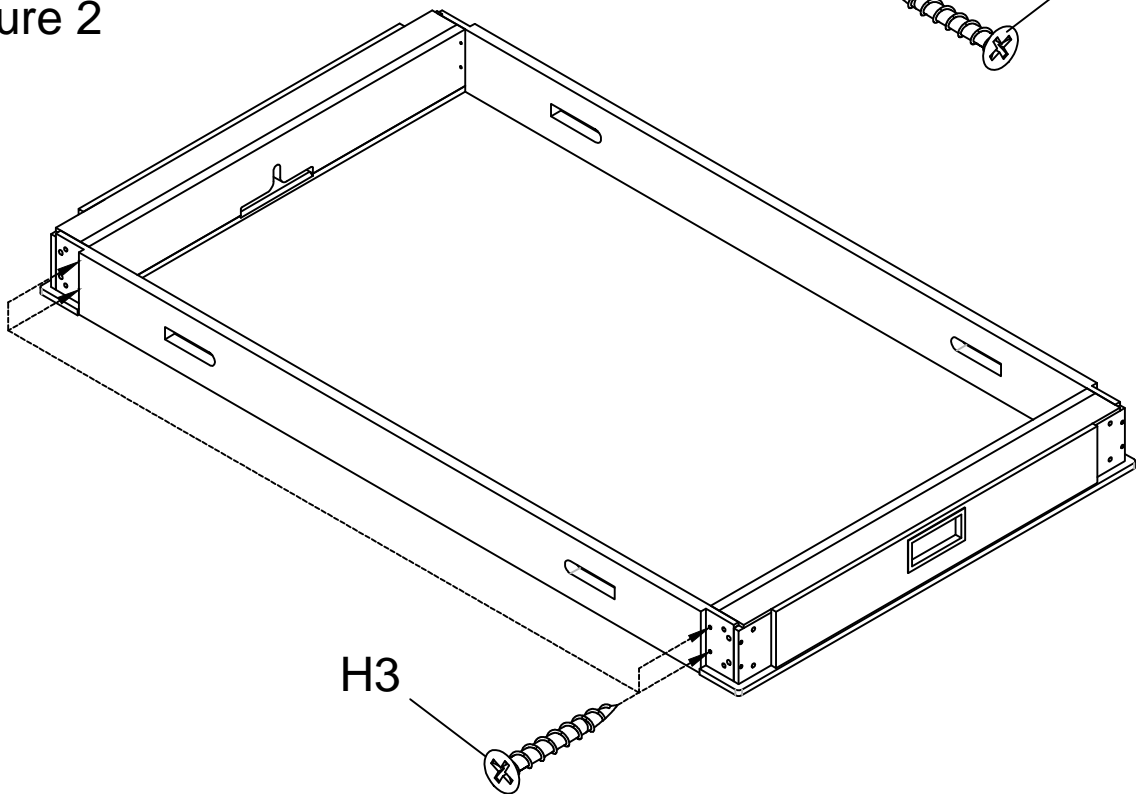


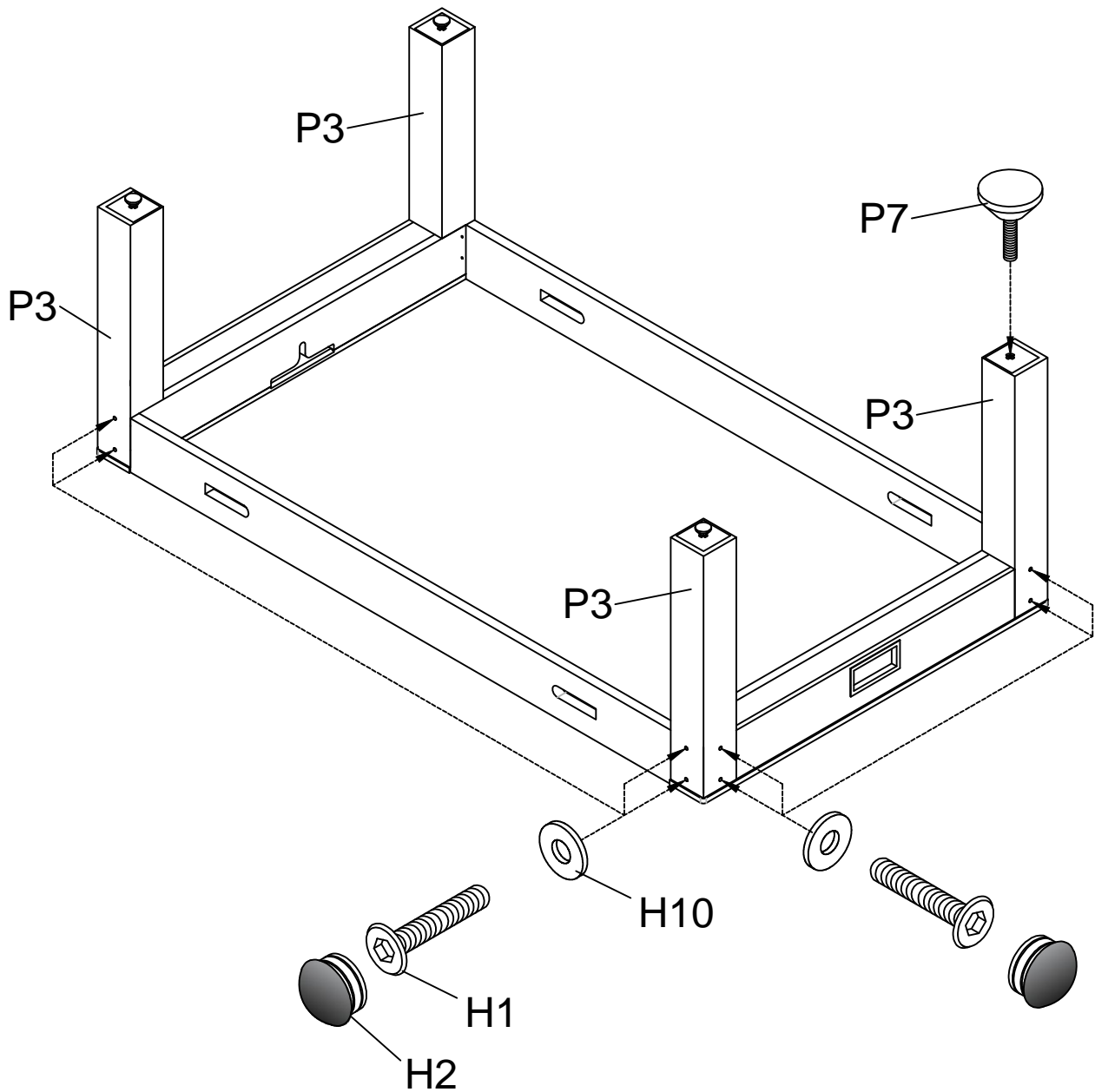
Figure 2



# ASSEMBLY INSTRUCTIONS

WARNING: TWO ADULTS NEEDED ASSEMBLE POOL TABLE

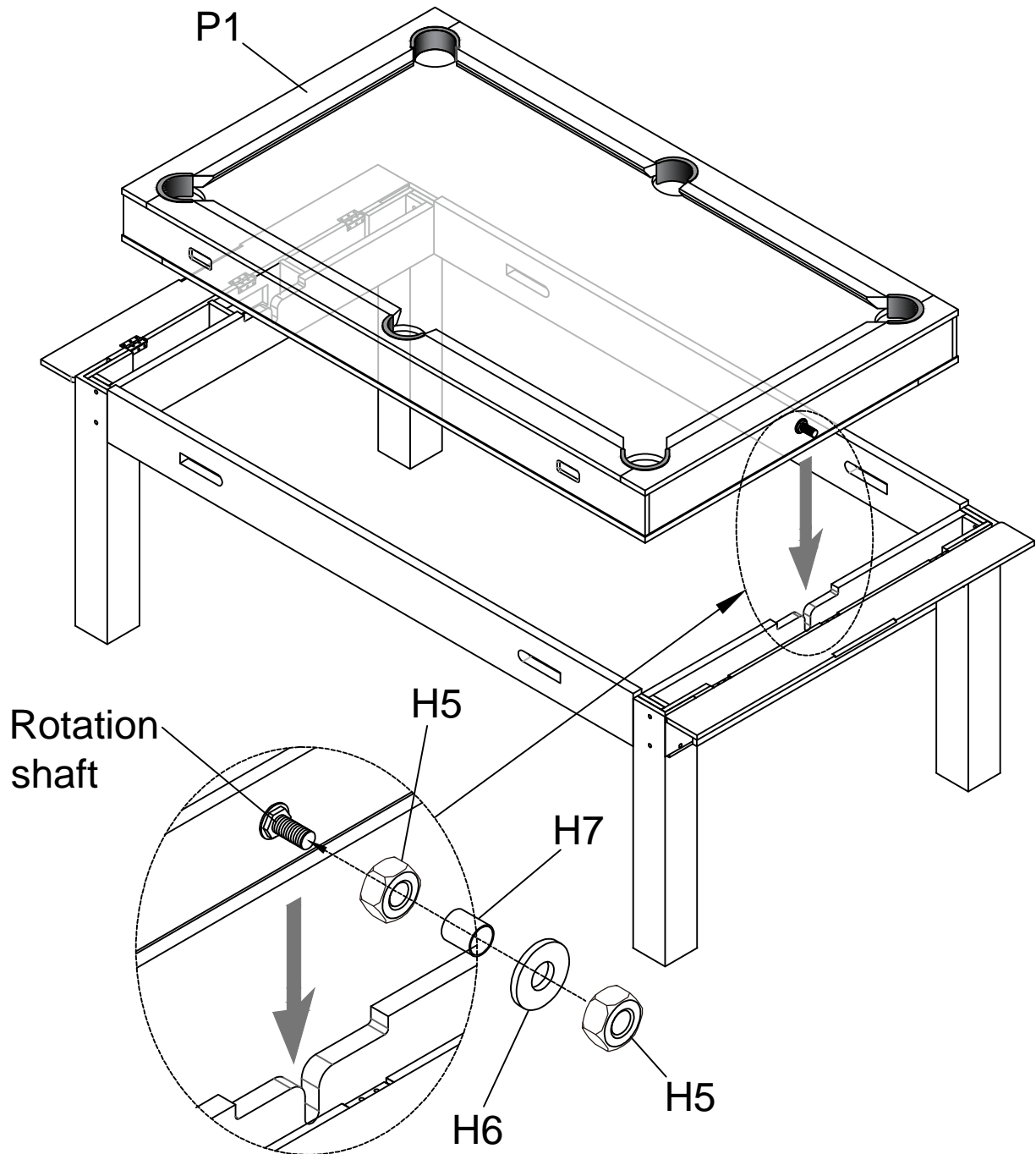
Figure 3



# ASSEMBLY INSTRUCTIONS

WARNING: YOU WILL NEED A SECOND ADULT TO ASSIST WITH THIS ASSEMBLY (INDEALLY 4 ADULTS NEEDED FOR LIFTING)

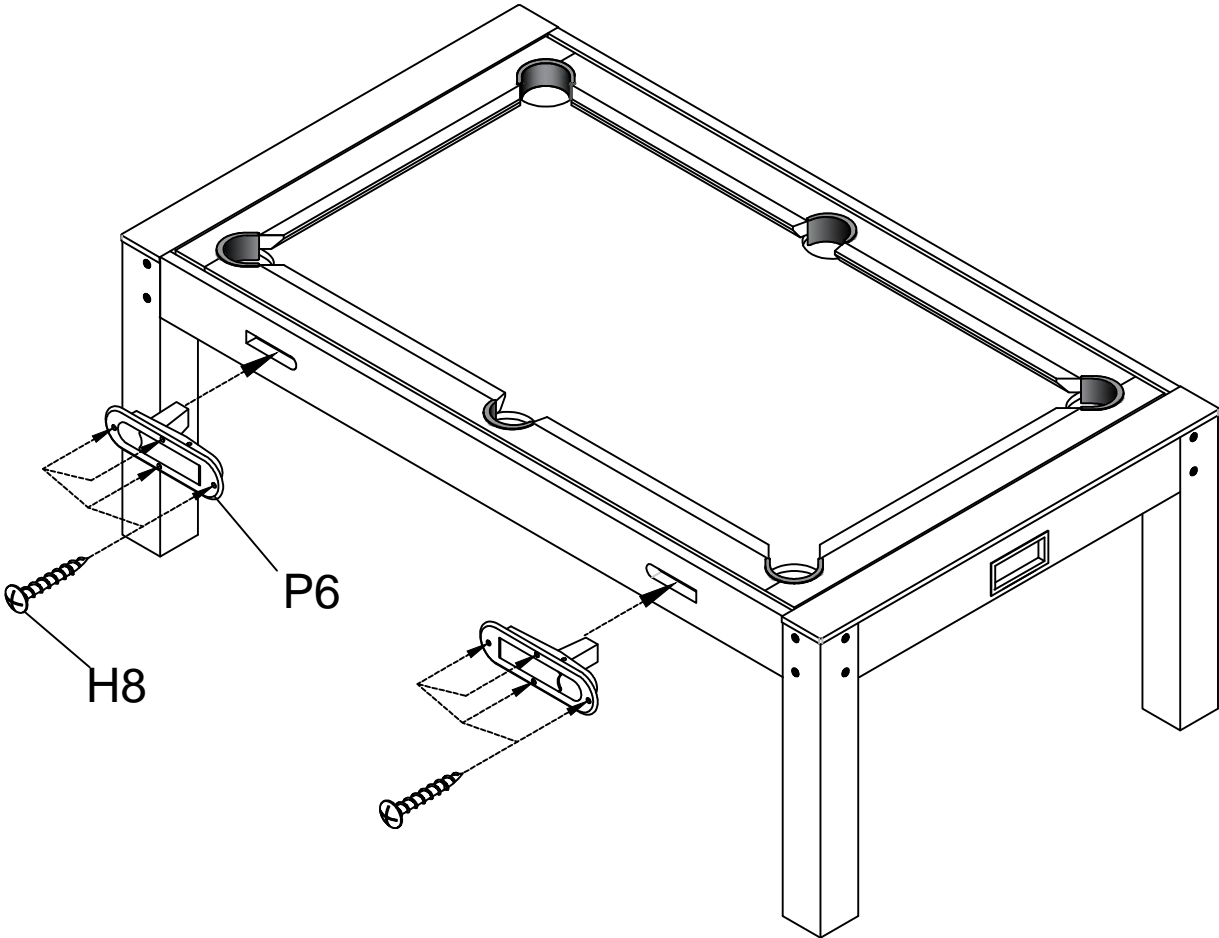
Figure 4



# ASSEMBLY INSTRUCTIONS

WARNING: TWO ADULTS NEEDED ASSEMBLE POOL TABLE

Figure 5

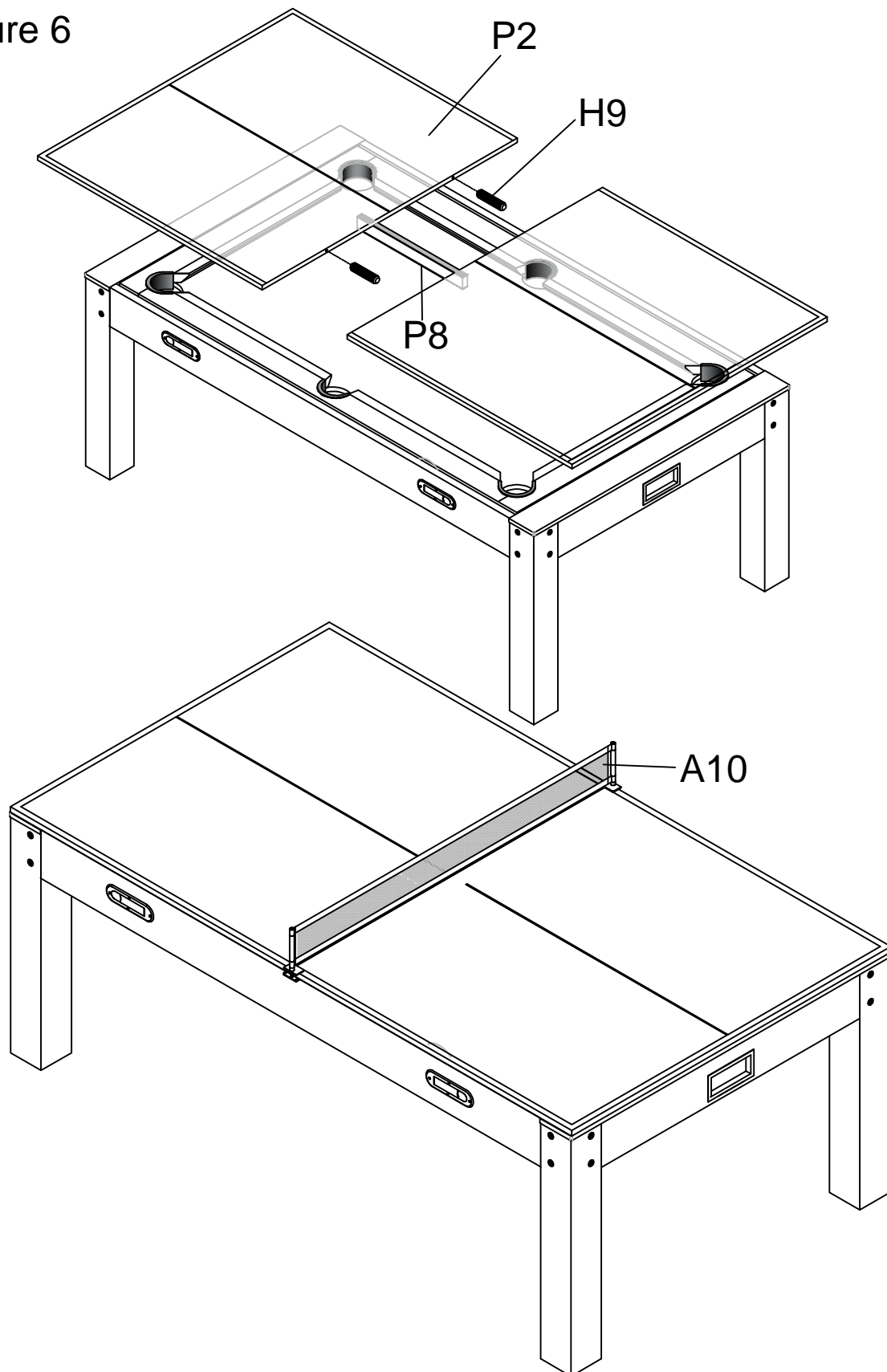




# ASSEMBLY INSTRUCTIONS

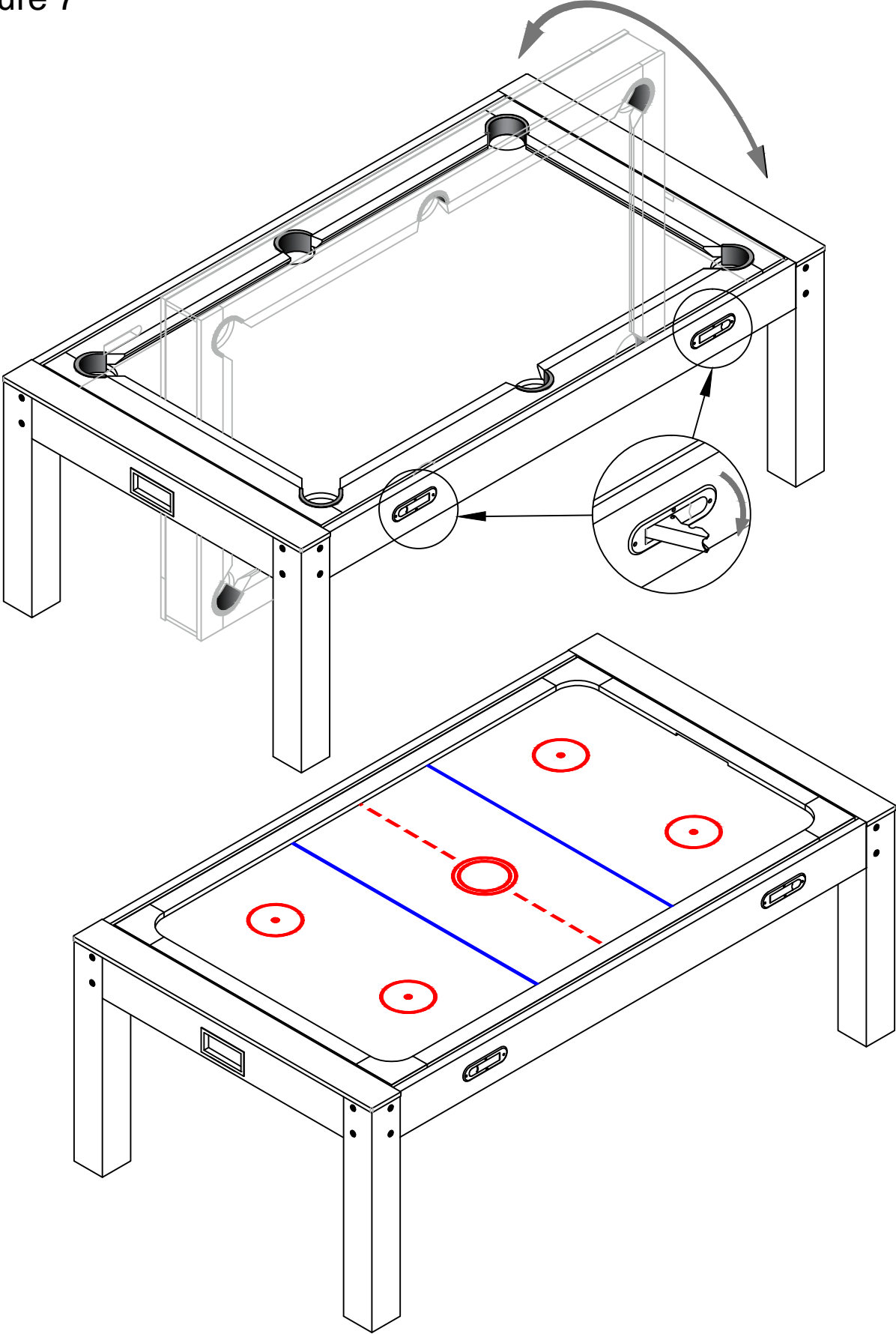
WARNING: TWO ADULTS NEEDED ASSEMBLE POOL TABLE

Figure 6



# ASSEMBLY INSTRUCTIONS

Figure 7



# INSTRUCTION FOR THE 7FT REVOLVER 3-IN-1MULTIGAMES TABLE

Please keep these instructions for future reference. Adult assembly required.  
This table is not a toy & is intended for use by or under the supervision of adults.

## **Tool required**

Philips Screwdriver-not included

Standard( flat head ) Screwdriver-not included

Allen Key-included

Note:electric screwdrivers may be helpful during assembly however please set a low torque & use extreme caution.

## **Assembly Tips**

Make sure you understand the following before you begin to assemble your game table.

1. READ THIS MANUAL all the way through before beginning assembly.
2. Some drawings or images in the manual may not look exactly like your product.
3. you will need a second adult to assist with this assembly (indeally 4 adults needed for lifting).
4. Save all packing materials until the parts have been inspected & the table is assembled

## **Unpack the pieces**

1. Lay the box a flat surface (the floor). You may want this near your area of assembly.
2. Unpack the boxes & parts bags. inspect & count the parts. The parts identifier page can be uses to record your results.