

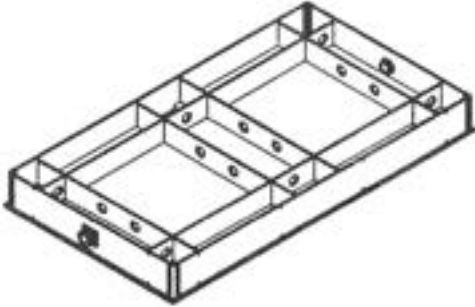
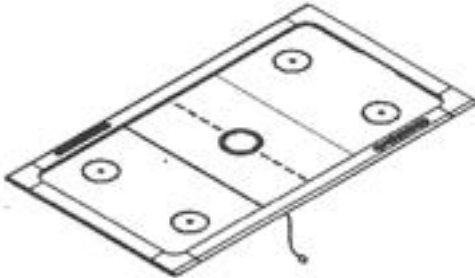

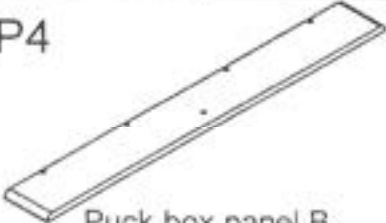
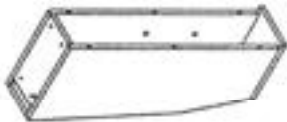
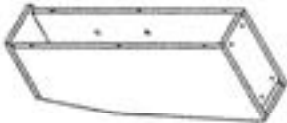








MOD. PANTHER




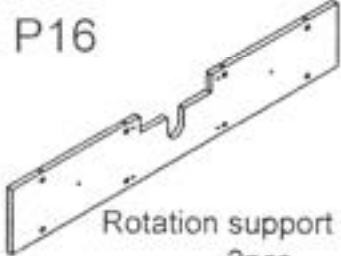


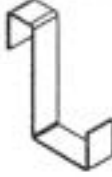









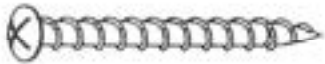

Please carefully read all safety instruction and directions before proceeding

- 1) Your table is designed for use indoors in a climate controlled environment only. Damage can occur if the table is exposed to water, dampness, high humidity, freezing temperatures, etc.
- 2) the Double Play table is heavy. Two or more people are required for assembly or moving.
- 3) The table should be assembled in the location where it will be played. Moving the table after it's assembled can damage the table.
- 4) Only use the table for its intended purpose.
- 5) Damaged or worn parts may be dangerous for users and the integrity of the table. Replace worn or damaged components immediately and do not use the table until any issues have been resolved. For best results, use only spare parts supplied by Playcraft.
- 6) Unauthorized repairs or altering the table's design or functions may be dangerous and will void the warranty.
- 7) Check all screws, bolts, etc. on a regular basis to ensure that they are in good working condition and have not loosened over time.

Part List

<p>P1</p>  <p>Table cabinet 1set</p>	<p>P2</p>  <p>Air hockey playfield 1set</p>	
<p>P3</p>  <p>Puck box panel A 2pcs</p>	<p>P4</p>  <p>Puck box panel B 2pcs</p>	<p>P5</p>  <p>Leg A 2pcs</p>
<p>P6</p>  <p>Leg B 2pcs</p>	<p>P7</p>  <p>Puck box end panel 4pcs</p>	<p>P8</p>  <p>Puck box face panel 2pcs</p>
<p>P9</p>  <p>Puck box mid panel 4pcs</p>	<p>P10</p>  <p>Leg end cover 4pcs</p>	<p>P11</p>  <p>Billiard ball storage tray 2pcs</p>
<p>P12</p>  <p>Rotation stop lock A 4pcs</p>	<p>P13</p>  <p>Rotation stop lock B 4pcs</p>	<p>P14</p>  <p>Leg cross support A 2pcs</p>

Part List

<p>P15</p>  <p>Leg cross support B 2pcs</p>	<p>P16</p>  <p>Rotation support panel 2pcs</p>	<p>P17</p>  <p>5/16" Leg leveler 4pcs</p>
<p>P18</p>  <p>Cue stick holder 4pcs</p>	<p>P19</p>  <p>Ball rack hook 1pc</p>	<p>P20 (Pre-assembled)</p>  <p>Rotational bolt 2pcs</p>
<p>P21 (Pre-assembled)</p>  <p>Fan motor 1pc</p>		
<p>H1</p>  <p>Bolt 8pcs</p>	<p>H2</p>  <p>Washer 8pcs</p>	<p>H3</p>  <p>Barrel nut 8pcs</p>
<p>H4</p>  <p>3/4" Round head screw 8pcs</p>	<p>H5</p>  <p>1" Round head screw 40pcs</p>	<p>H6</p>  <p>1-1/4" Round head screw 52pcs</p>
<p>H7</p>  <p>1/2" Flat head screw 8pcs</p>	<p>H8</p>  <p>2" Round head screw 20pcs</p>	<p>H9</p>  <p>Plastic barrel 24pcs</p>

Assembling

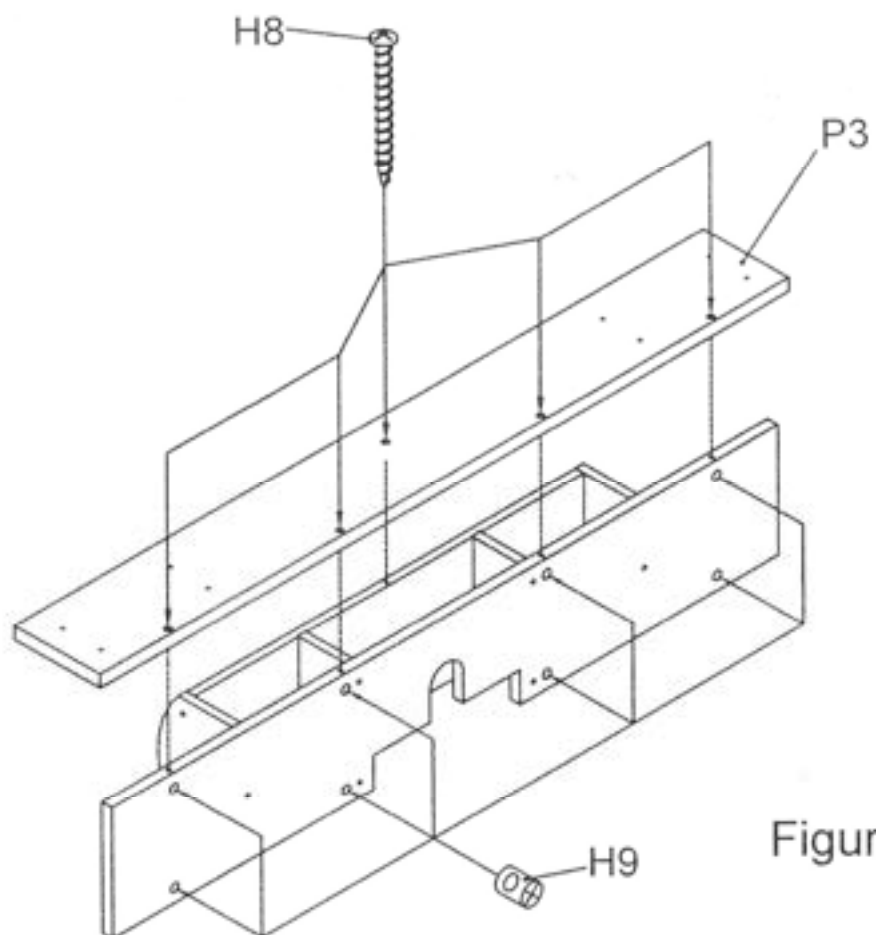
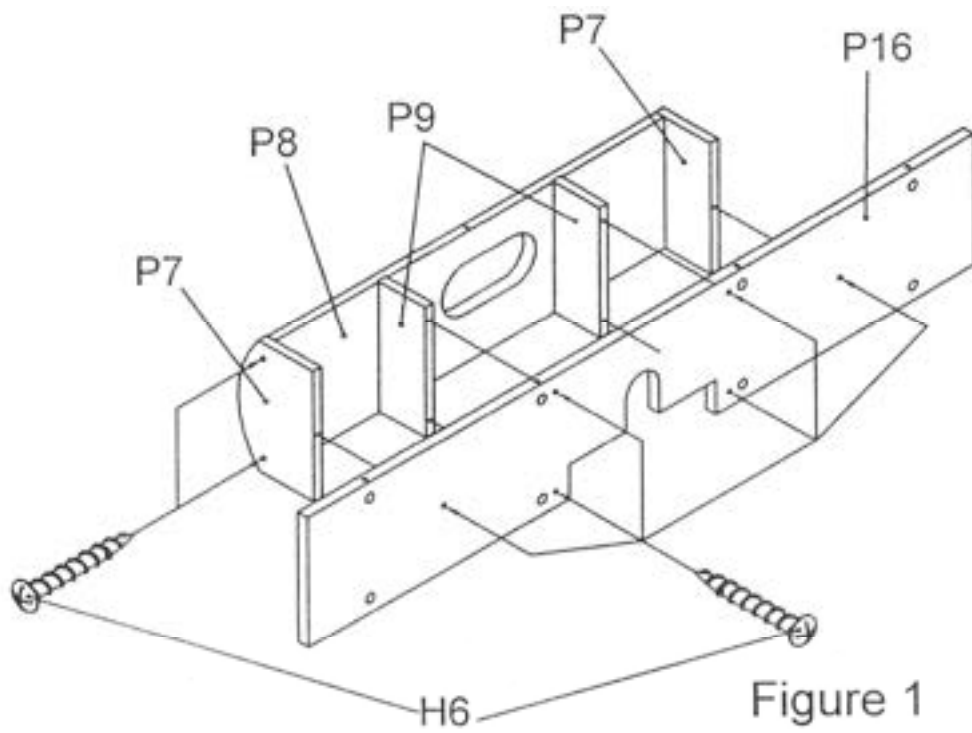


Figure 2

Assembling

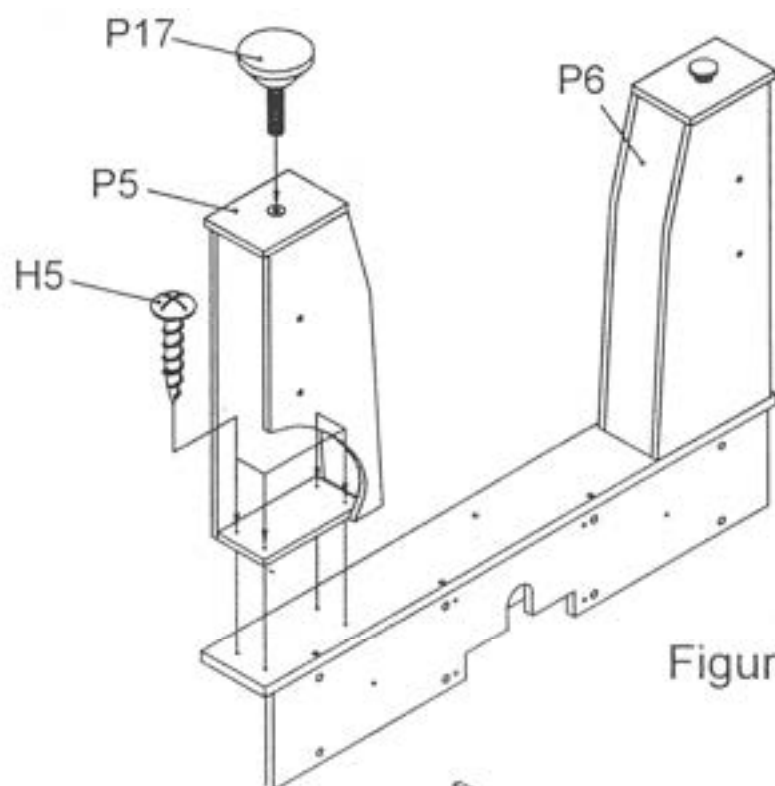


Figure 3

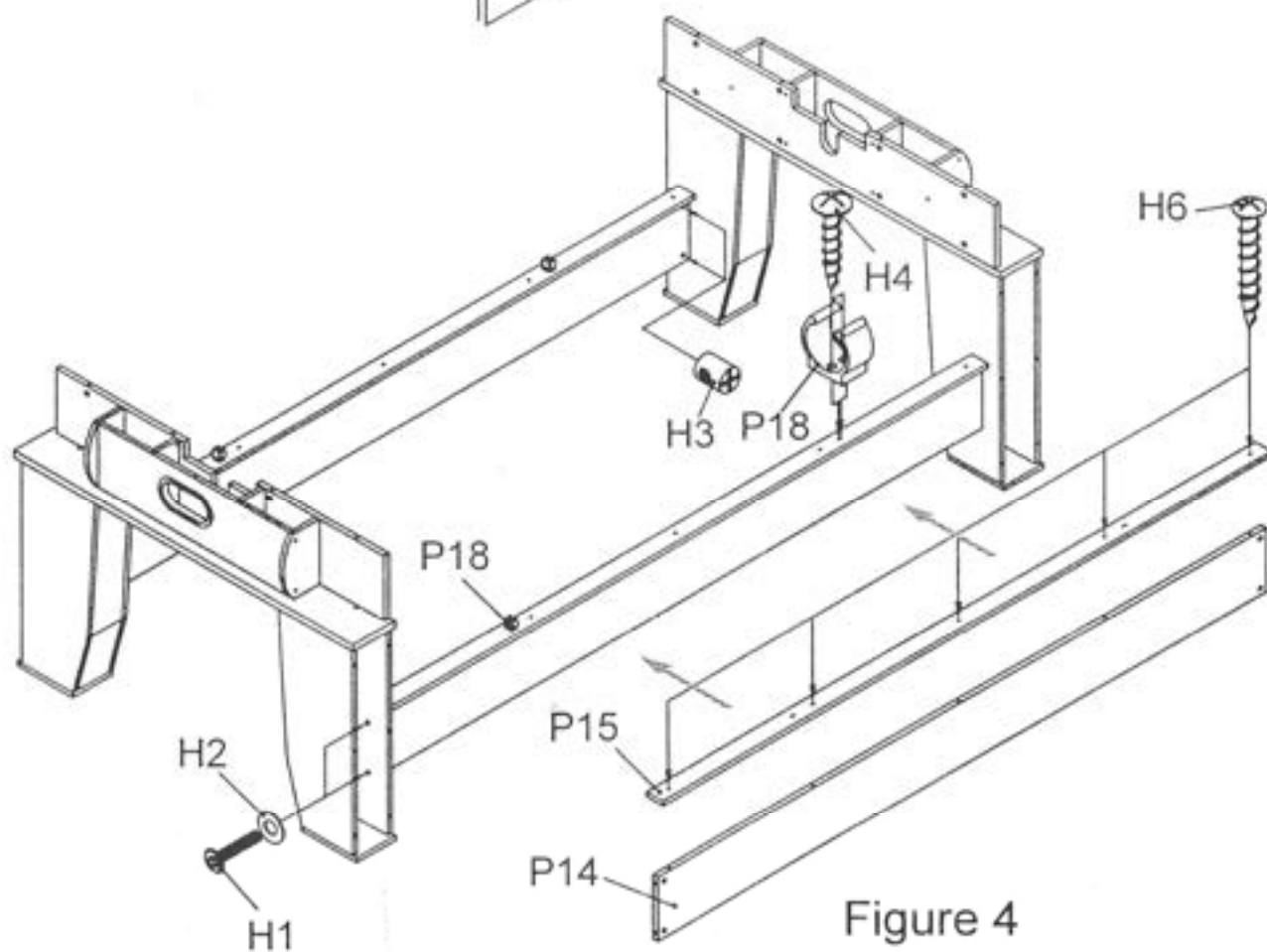


Figure 4

Assembling

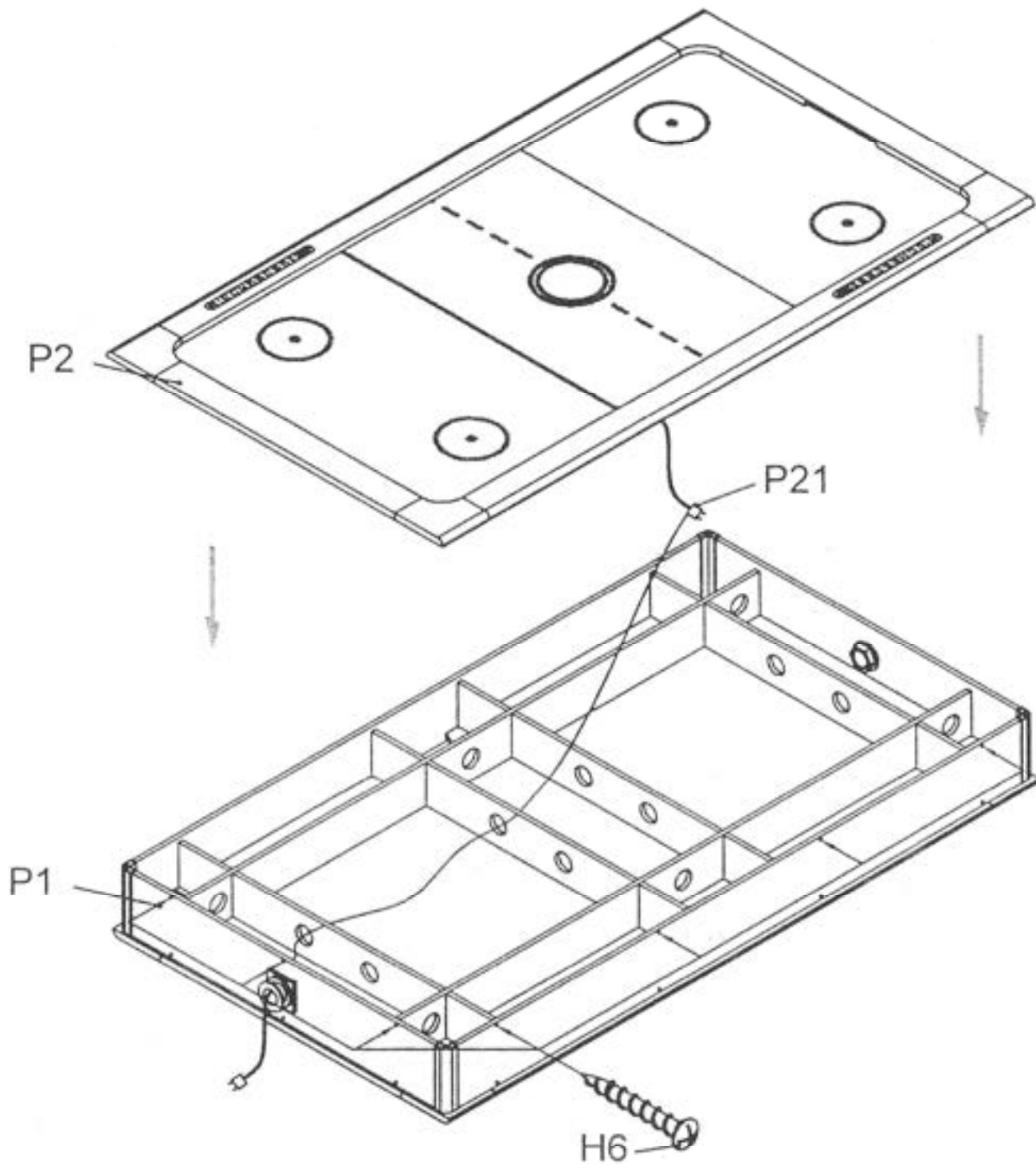





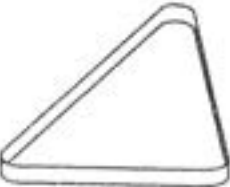





Figure 5

Assembling

<p>H10</p>  <p>Plastic column 4pcs</p>	<p>H11</p>  <p>Tool 1pc</p>	
<p>A1</p>  <p>Chalk 2pcs</p>	<p>A2</p>  <p>Brush 1pc</p>	<p>A3</p>  <p>Cue stick 2pcs</p>
<p>A4</p>  <p>Triangle 1pc</p>	<p>A5</p>  <p>Billiard ball 1set</p>	<p>A6</p>  <p>Hockey striker 2 pcs</p>
<p>A7</p>  <p>Hockey puck 2pcs</p>		

Assembling

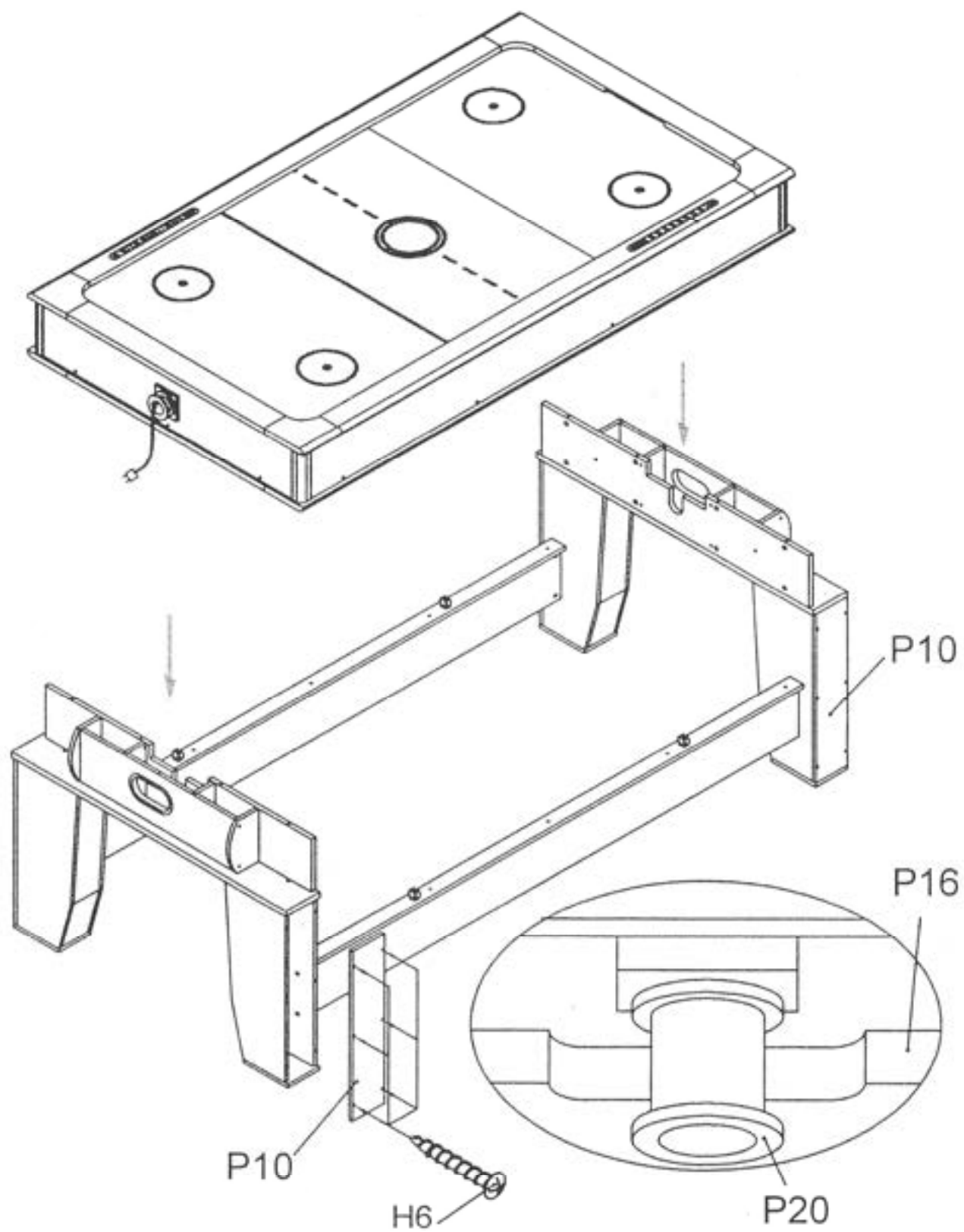


Figure 6

Assembling

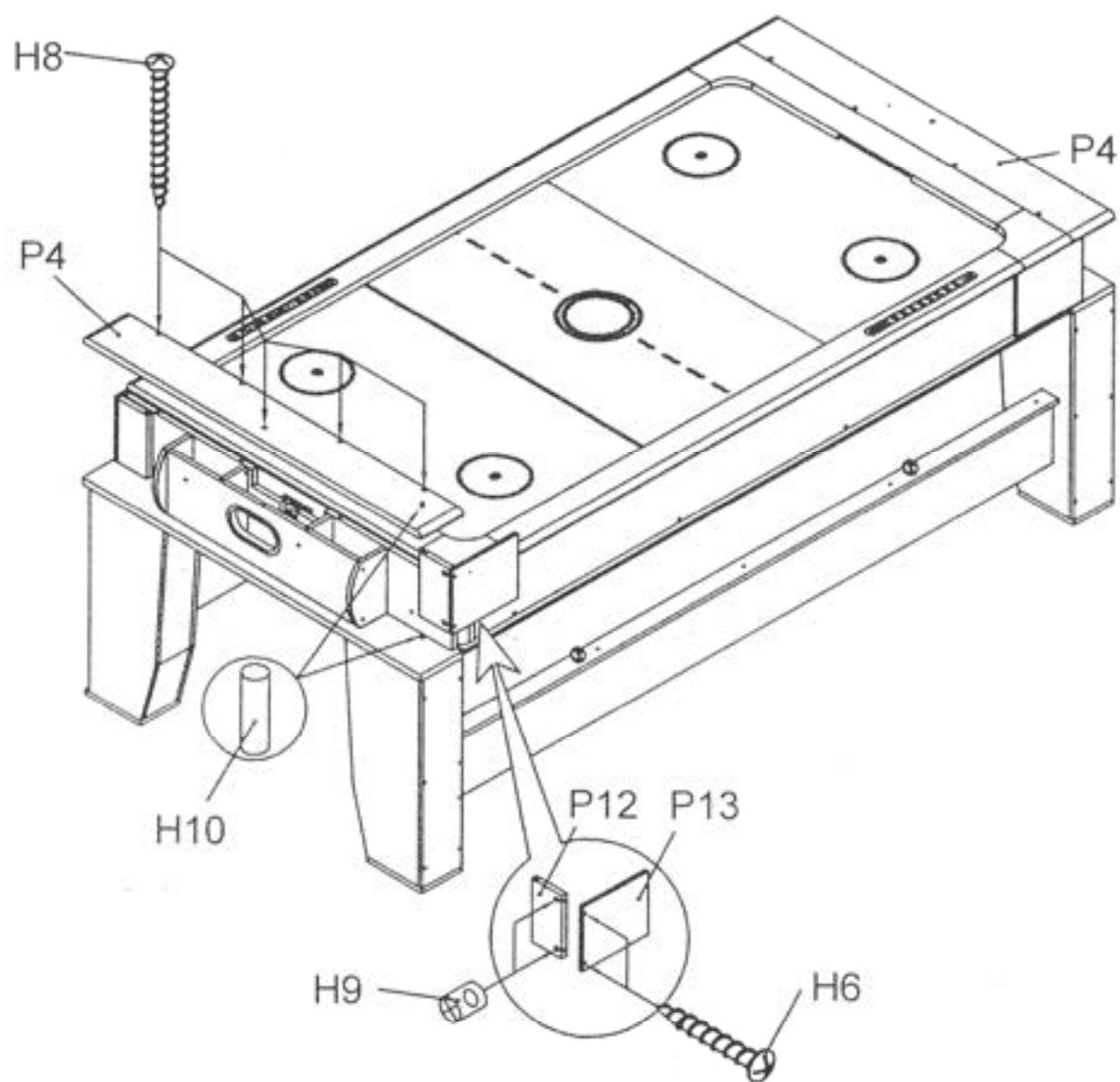


Figure 7

Assembling

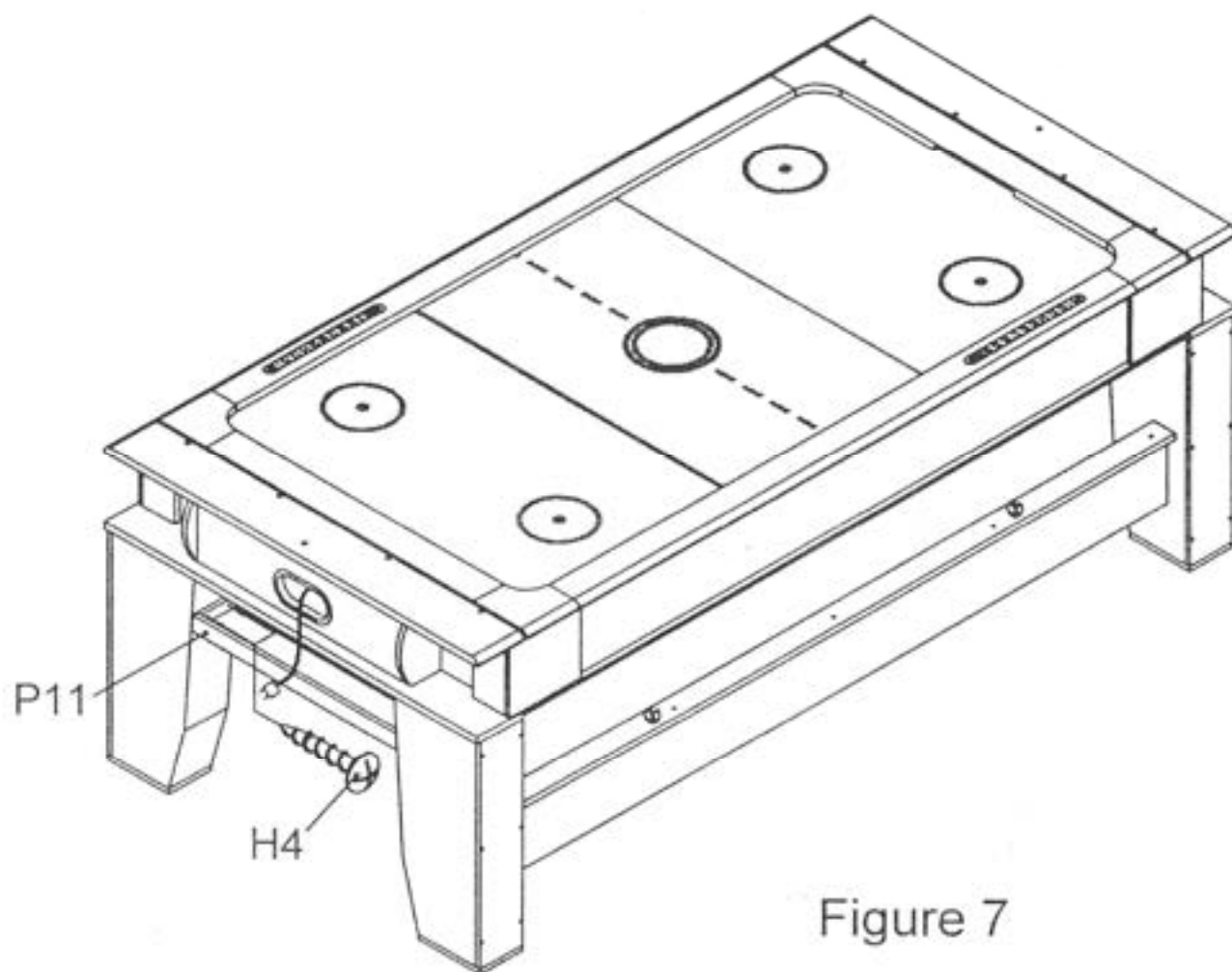


Figure 7

Assembling

