










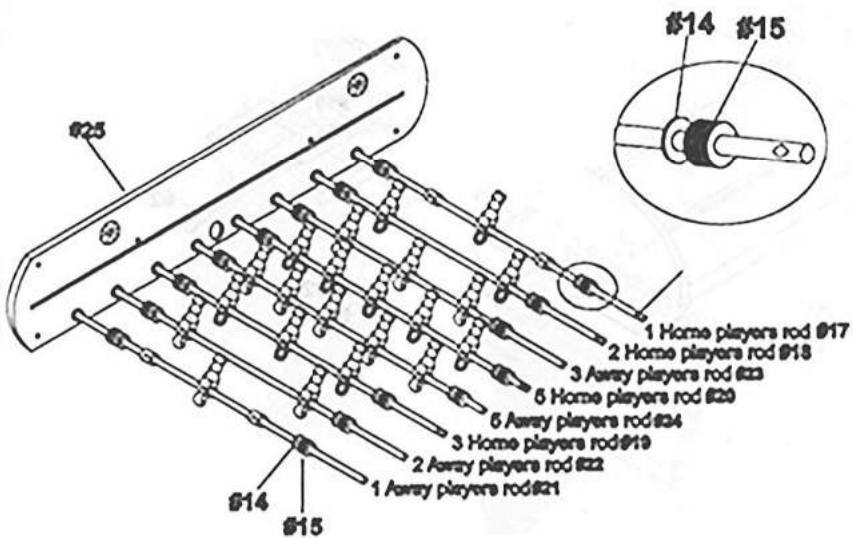


MOD. CARIOCA

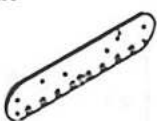



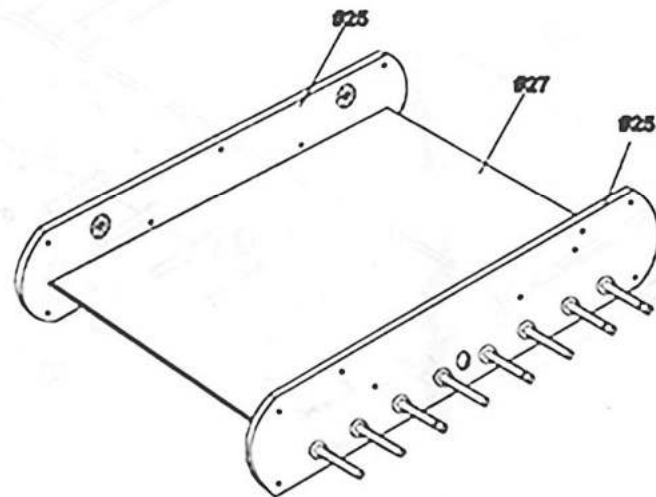
WARNING:TWO ADULTS NEEDED TO ASSEMBLE FOOTBALL TABLE

<p>1</p> <p>#25</p>  <p>Side Panel 1 Piece</p>	<p>#14</p>  <p>Washer 16 Pieces</p>	<p>#15</p>  <p>Foam Shock Absorber 16 Pieces</p>	<p>#17</p>  <p>1 Home players rod 1 piece</p>
<p>#18</p>  <p>2 Home players rod 1 piece</p>	<p>#19</p>  <p>3 Home players rod 1 piece</p>	<p>#20</p>  <p>6 Home players rod 1 piece</p>	<p>#21</p>  <p>1 Away players rod 1 piece</p>
<p>#22</p>  <p>2 Away players rod 1 piece</p>	<p>#23</p>  <p>3 Away players rod 1 piece</p>	<p>#24</p>  <p>6 Away players rod 1 piece</p>	



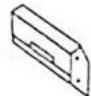


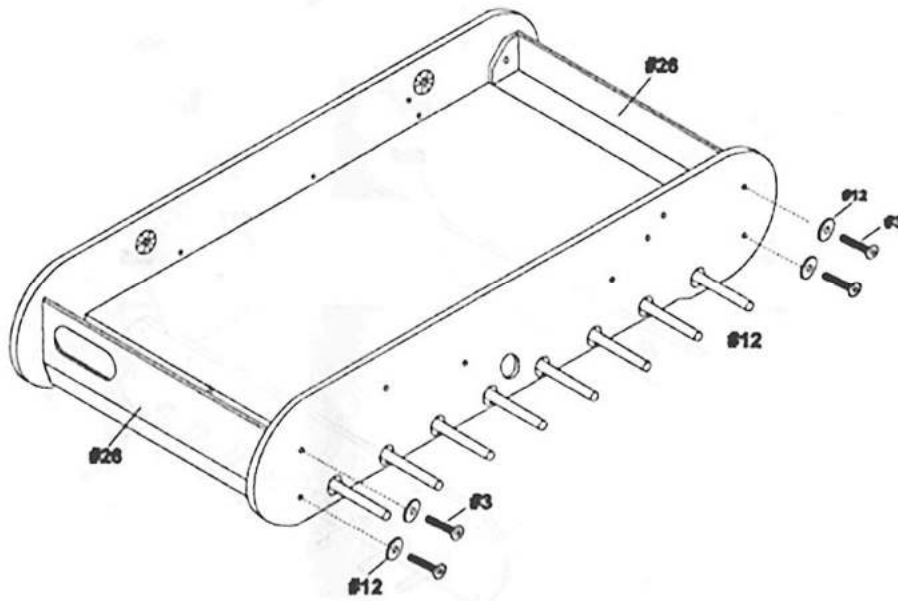
2

<p>#25</p>  <p>Side Panel 1 Piece</p>	<p>#27</p>  <p>Soccer Playfield 1 Piece</p>
---	---


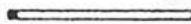



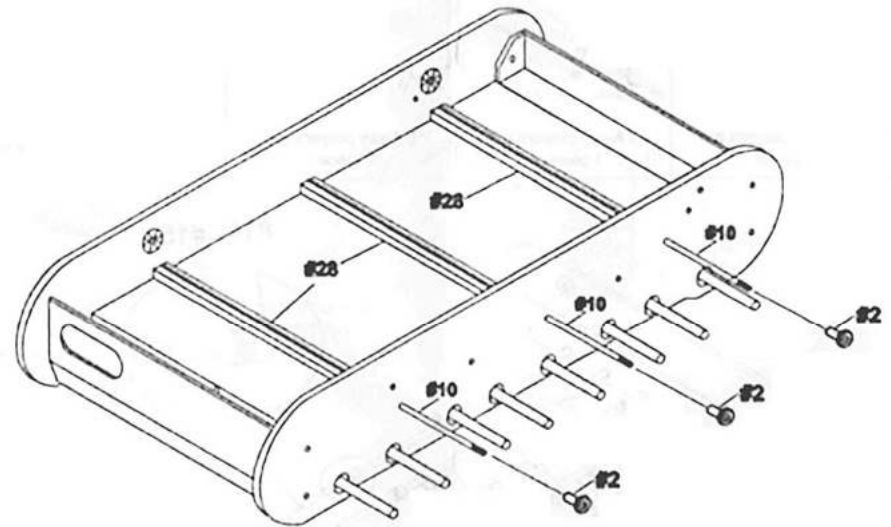
3

<p>#3</p>  <p>30mm bolt 8 pieces</p>	<p>#12</p>  <p>Washers 15mm 8 pieces</p>	<p>#26</p>  <p>End panel 2 pieces</p>
---	---	--



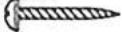




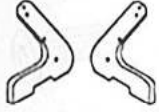
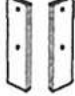
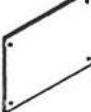

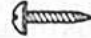


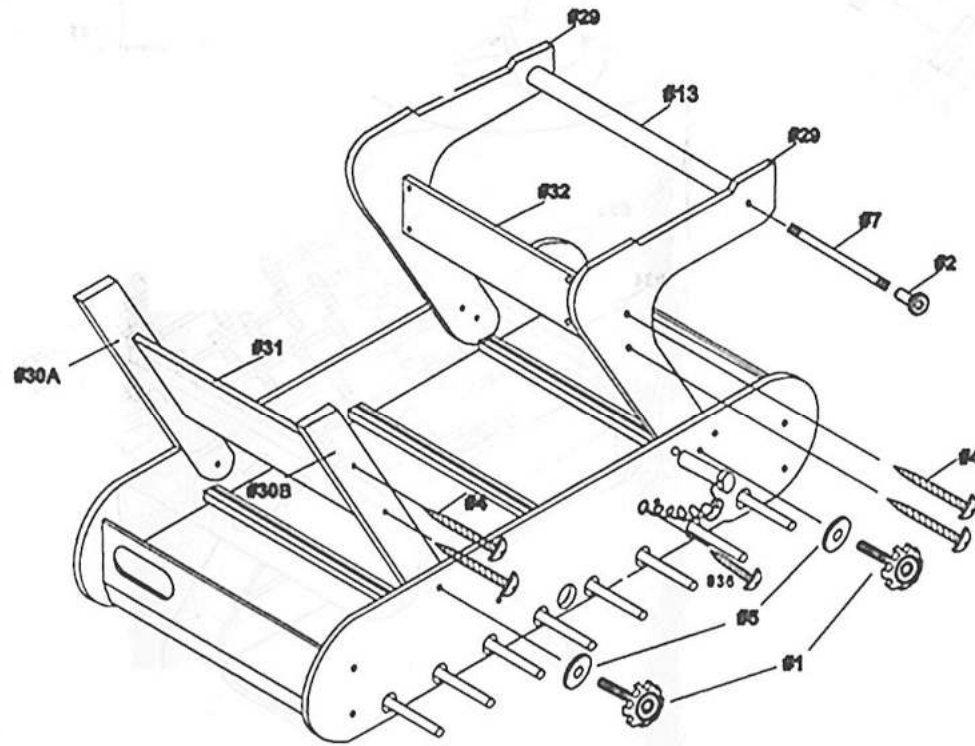
4

<p>#2</p>  <p>Nuts 6 pieces</p>	<p>#10</p>  <p>600mm support rods 3 pieces</p>	<p>#28</p>  <p>Playfield support brace 3 pieces</p>
--	---	--



5

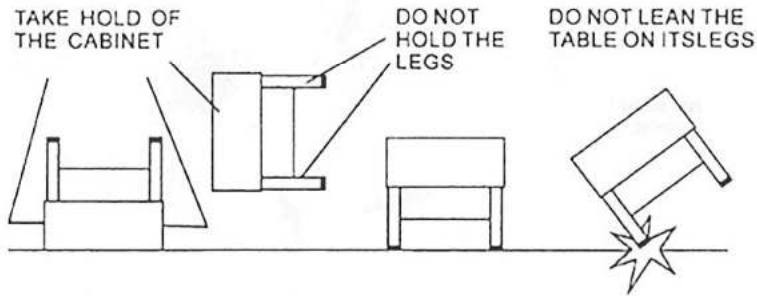
<p>#1</p>  <p>Handle bolt 4 pieces</p>	<p>#2</p>  <p>Nuts 2 pieces</p>	<p>#4</p>  <p>Round head screw 40mm 8 pieces</p>	<p>#5</p>  <p>Washers 22mm 4 pieces</p>	<p>#7</p>  <p>600mm Support rods 1 piece</p>	<p>#35</p>  <p>Safety pin 2 pieces</p>
<p>#13</p>  <p>Cross bar 1 piece</p>	<p>#29</p>  <p>Leg A/B 2 pieces</p>	<p>#30</p>  <p>Leg A/B 2 pieces</p>	<p>#31</p>  <p>Leg panel A 1 piece</p>	<p>#32</p>  <p>Leg panel B 1 piece</p>	<p>#36</p>  <p>Round head screw 12mm 2 pieces</p>




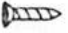

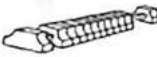




CAUTION

1. It is recommended that two adults turn the table over.
2. Take hold of the table as shown.
3. Turn the table over.
4. Place the table on all four feet at the same time on the ground.



6

 <p>#6 Ball Entry Cup 2 Pieces</p>	 <p>#8 Screw 6 Pieces</p>	 <p>#11 Flat head screw 25mm 4 pieces</p>	 <p>#16 Slide scorers 2 pieces</p>
		 <p>#33 Rod handle 8 pieces</p>	 <p>#34 Rod end cap 8 pieces</p>

